

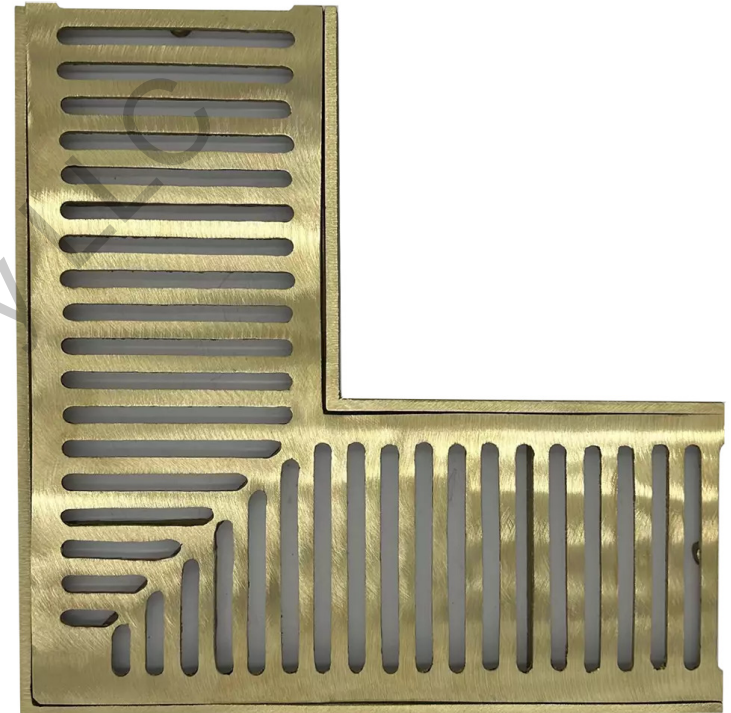
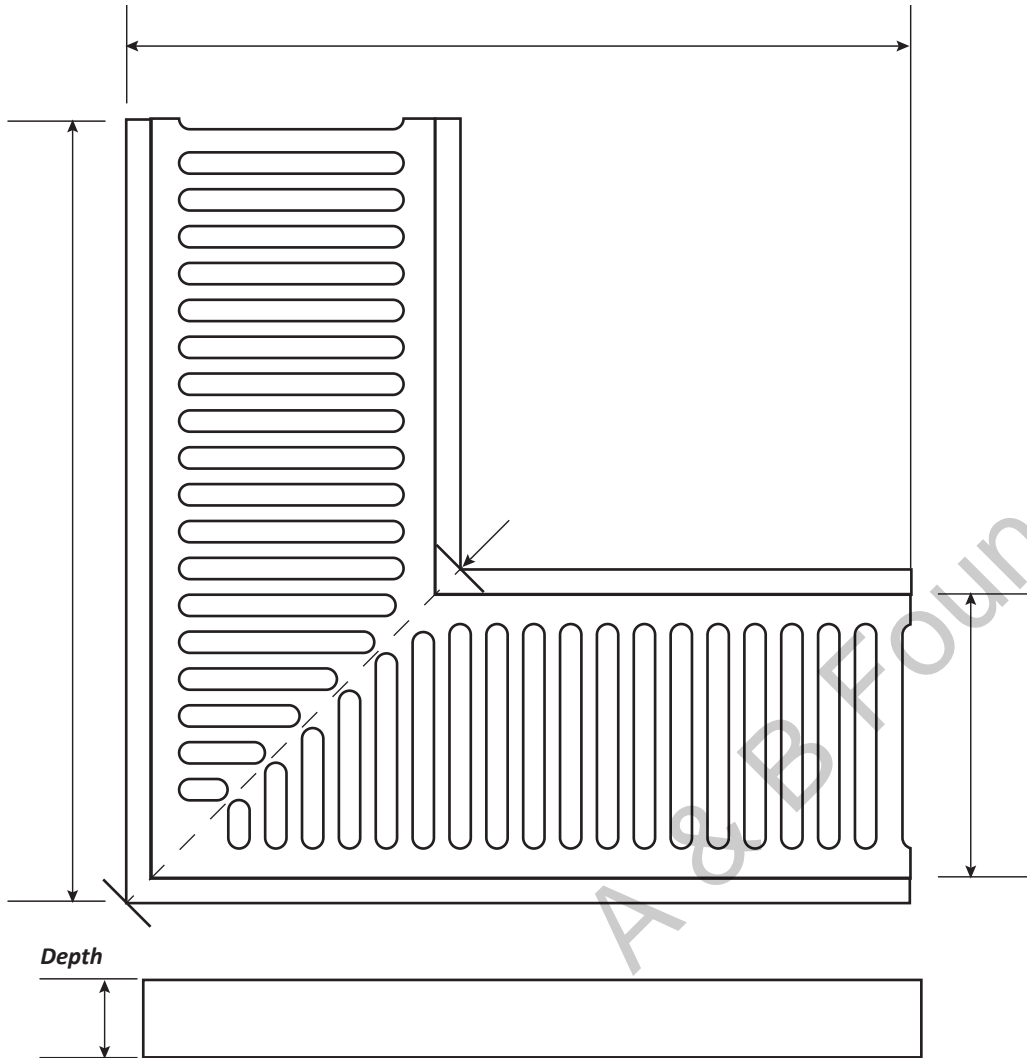
Channel Drain Set - w/Frame - 90 DEGREE - 16"

Product #PL1030

FOR ILLUSTRATIVE PURPOSES ONLY

Connects with 7-3/16"X16" Channel Drain
(Part # PL1072). Depth engineered to carry corner weight.

Email support@abfoundryllc.com for actual dimensions.



Metal Casting Since: 1965

11165 Denton Dr. • Dallas, TX 75229

www.abfoundryllc.com • 972.247.3579

<i>Weight (~lbs)</i>		
Aluminum – 3.9	Yellow Brass – 12.4	Red Brass – 12.7